

Honeywell

Xenon XP 1952 Series

Horizontal Mounting Kit with Bezel

For Charge/Communication Bases:

CCB11-010BT, CCB13-010BT, CCB14-010BT, CCB15-010BT and CCB17-010BT

Instructions

Disclaimer

Honeywell International Inc. (“HII”) reserves the right to make changes in specifications and other information contained in this document without prior notice, and the reader should in all cases consult HII to determine whether any such changes have been made. The information in this publication does not represent a commitment on the part of HII.

HII shall not be liable for technical or editorial errors or omissions contained herein; nor for incidental or consequential damages resulting from the furnishing, performance, or use of this material. HII disclaims all responsibility for the selection and use of software and/or hardware to achieve intended results.

This document contains proprietary information that is protected by copyright. All rights are reserved. No part of this document may be photocopied, reproduced, or translated into another language without the prior written consent of HII.

Copyright © 2020 Honeywell International Inc. All rights reserved.

Web Address: www.honeywellaidc.com.

Trademarks

TORX is a trademarks or registered trademarks of Acument Intellectual Properties, LLC in the United States or other countries.

Other product names or marks mentioned in this document may be trademarks or registered trademarks of other companies and are the property of their respective owners.

Patents

For patent information, refer to www.hsmpats.com.

KIT INSTRUCTIONS

Introduction

Honeywell offers the Horizontal Mounting Kit with Bezel (50129066-001) for environments where an easy and secure method is needed to mount a Xenon XP 1952 Charge and Communication Base (CCB) to a self-checkout system.

This kit can be used with the following CCB series:
CCB11-010BT, CCB13-010BT, CCB14-010BT, CCB15-010BT, and CCB17-010BT

Note: Suitable for mounting at heights less than or equal to 2 m.

Kit Components

Item #	Description	Qty.
1	Bezel Cover	1
2	L-Bracket	1
3	Wire Shield	1
4	M4 x 0.7 x 8 mm, Pan Head Phillips Screw	2
5	M2.5 x 0.45 x 10 mm, Pan Head TORX® Screw	4
6	M6 x 1.0 x 16 mm, Socket Head Cap Screw (pre-installed)	4
7	M6 x 1.0 (pre-installed), Square Nut	4

The following items are sold separately:

- CCB, Power Supply, Power Cable, and Communication Cable
- Xenon XP 1952 Series Scanner

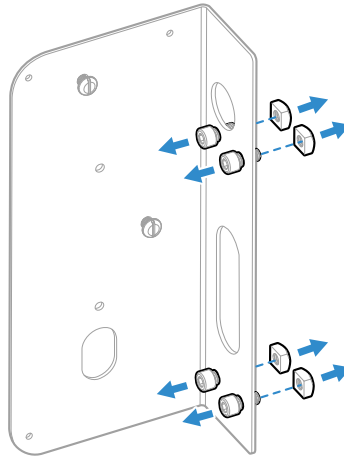


Caution: We recommend the use of Honeywell accessories and power adapters. Use of any non-Honeywell accessories or power adapters may cause damage not covered by the warranty.

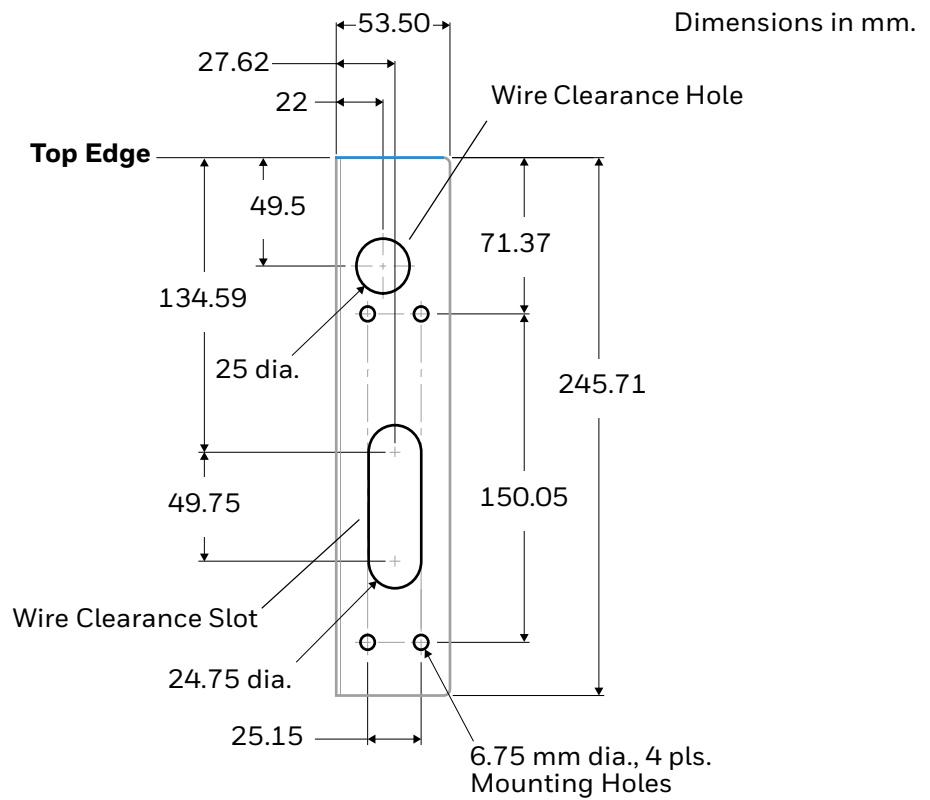
Attention: Nous recommandons d'utiliser des accessoires et des adaptateurs secteur de marque Honeywell. L'utilisation de tout accessoire ou adaptateur secteur d'une autre marque est susceptible de provoquer des dommages non couverts par la garantie.

Installation

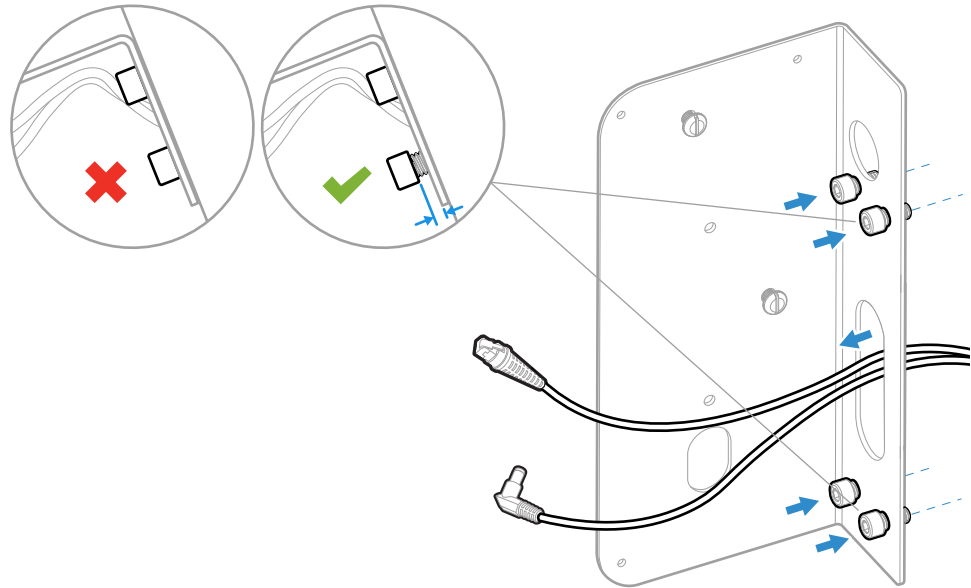
1. Remove the four M6 square nuts and socket head cap screws from the L-Bracket. Place them in a safe location.



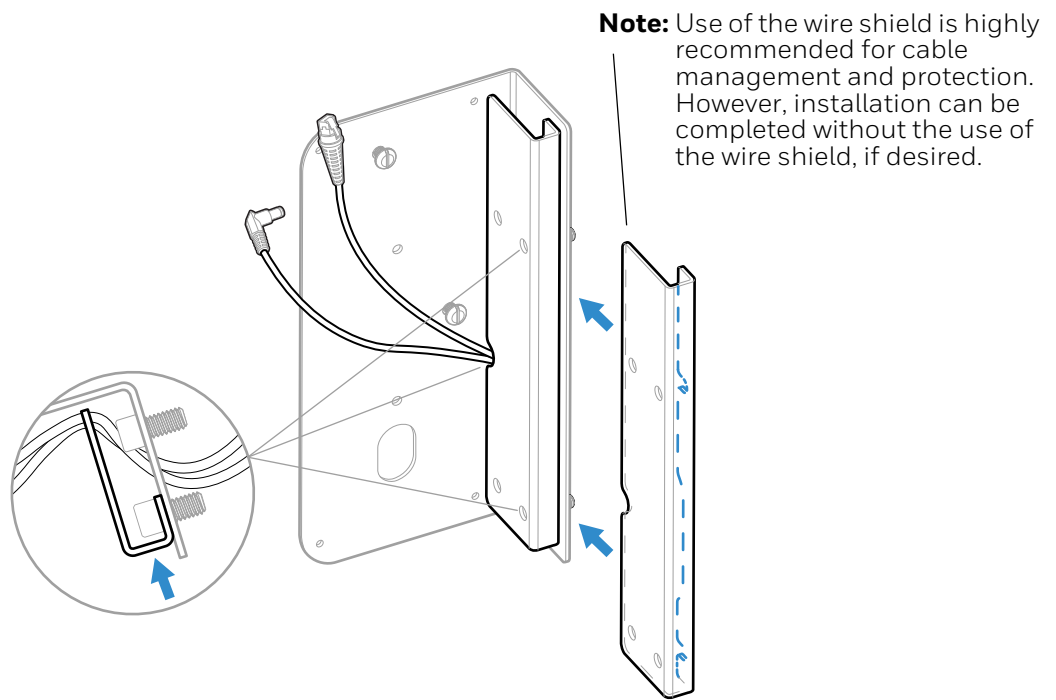
2. Identify the **top edge** of the L-Bracket. The top edge should always be oriented up so it is the closest edge to the top of the self-checkout system.
3. Due to variations in self-checkout systems, this step may be skipped or adjusted by the installer. The bracket can be used as a guide to mark locations where clearance holes for hardware and wires are needed.



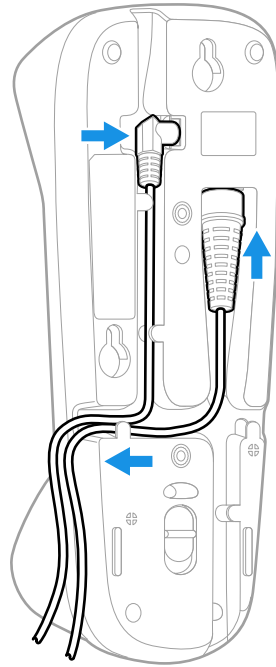
4. Thread the power and communication cables through the clearance hole(s) in the L- bracket.
5. Attach the L-bracket to the self-checkout system using the four M6 cap screws.
 - **Do not fully tighten the two screws closest to the edge of the L-bracket.** Space is needed between the screw head and bracket to mount the wire shield.



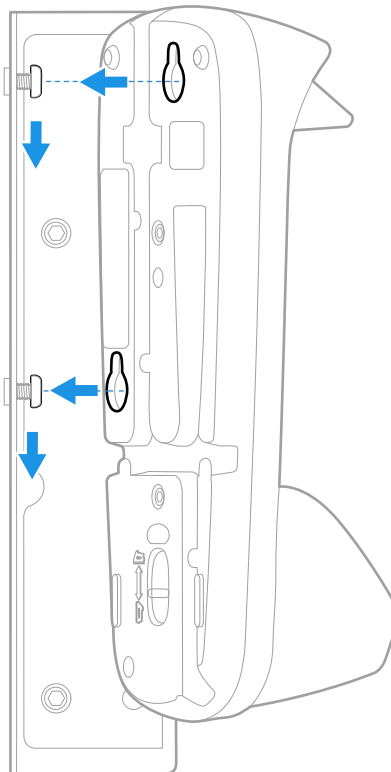
6. Slide the “u” cutouts, on the short leg of the wire shield over the two M6 screw heads closest to the edge of the L-bracket, and then tighten the screws using the access holes in the shield.
 - **Do not pinch the wires.** Align the wires with the clearance hole.



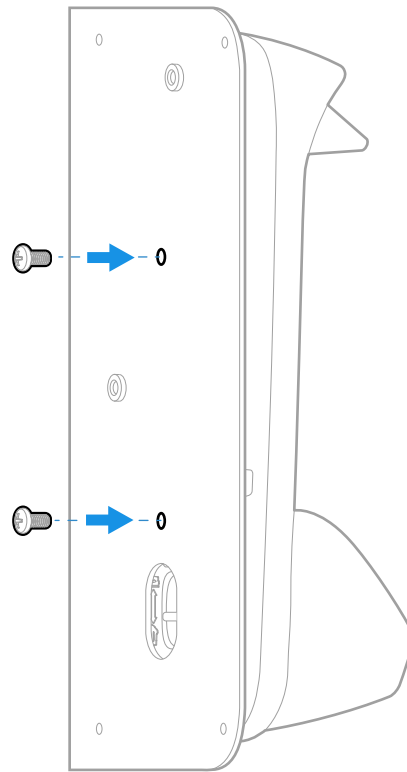
7. Attach the power and communication cable to the base. Arrange the wires so they exit out the side indicated below.



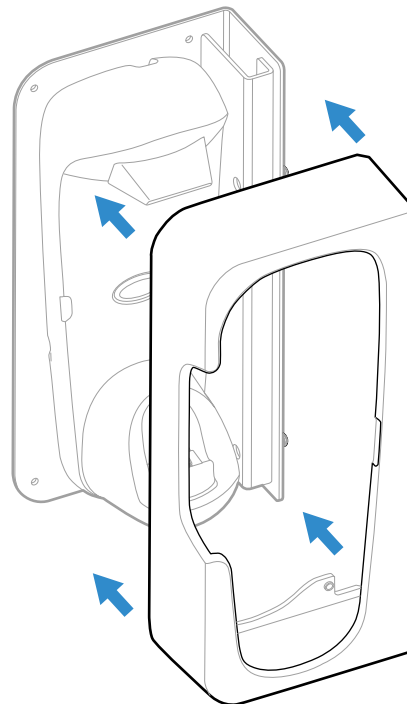
8. Lower the two (2) key holes on the base over the two (2) screw heads on the L-bracket. Slide base toward the bottom edge of the L-bracket and into the key hole channel locks.



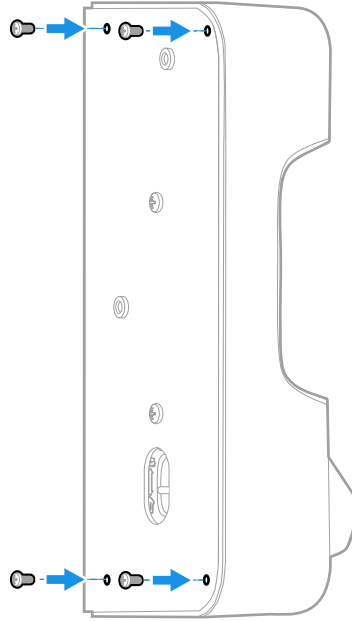
9. Secure the charge base to the L-bracket with two (2) M4 screws supplied. Do not skip this step or cradle movement under the bezel cover may occur.



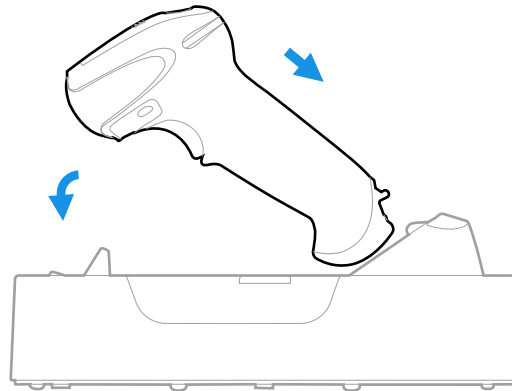
10. Slide the bezel cover over the assembly.



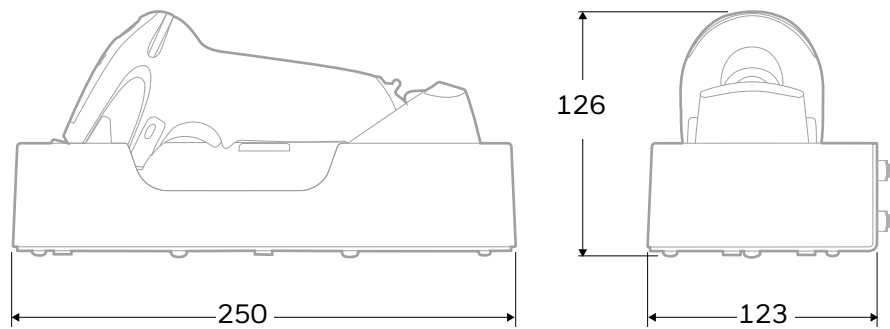
11. Secure the bezel cover in place with the four (4) M2.5 screws supplied.



Overall Dimensions



Dimensions in mm.



Support

To search our knowledge base for a solution or log into the Technical Support Portal and report a problem, go to www.honeywellaidc.com/working-with-us/contact-technical-support.

Limited Warranty

For warranty information, go to www.honeywellaidc.com.

Honeywell
9680 Old Bailes Road
Fort Mill, SC 29707

www.honeywellaidc.com