



# Bluetooth Low Energy Scan Handle

---

Models SH-BLE-CT50, SH-BLE-75e

## Quick Start Guide



## Out of the Box

Make sure that your shipping box contains these items:

- Bluetooth Low Energy (BLE) Scan Handle (SH-BLE-CT50 or SH-BLE-75e)
- Quick Start Guide

If any of these items are missing or appear damaged, contact your Customer Account Representative. Keep the original packaging in the event that you need to return the scan handle for service or if you want to store it while not in use.

The BLE scan handle was designed to allow access to all of the buttons and the touch panel of the mobile computer. You can use the mobile computer inserted into the scan handle with the Scan Handle Holster. If you need to set the mobile computer inserted into the scan handle down on a flat surface, you can place the combination nose down.

The scan handle can operate under all of the same environmental conditions as the mobile computer. The operating temperature is  $-20^{\circ}\text{C}$  to  $50^{\circ}\text{C}$  ( $-4^{\circ}\text{F}$  to  $122^{\circ}\text{F}$ ).

**Caution: We recommend the use of Honeywell accessories and power adapters. Use of any non-Honeywell accessories or power adapters may cause damage not covered by the warranty.**



**Mise en garde : Il est recommandé d'utiliser les périphériques, les cordons d'alimentation et les adaptateurs secteur conçus par Honeywell. L'utilisation de tout périphérique, cordon d'alimentation ou adaptateur secteur d'une autre marque est susceptible de provoquer des dommages non couverts par la garantie.**

## Download and Install the Scan Handle App

The Scan Handle App should already be installed. If it is not installed in your mobile computer, use one of these procedures below to download and install it. There are two versions of the scan handle tool:

- Android 4.4 and 6.0
- Windows 10 IoT Mobile Enterprise

## Download and Install the Scan Handle App for Android

The Scan Handle App for Android 4.4 (D75e) and 6.0 is bundled together with the Honeywell CommonES release.

1. Download the latest CommonES .zip file or service package for your mobile computer from [www.honeywellaidc.com](http://www.honeywellaidc.com).
2. Copy the upgrade .zip file into one of these folders on the CT50:
  - Internal storage\honeywell\autoinstall
  - IPSM card\honeywell\autoinstall
  - \honeywell\autoinstall (if a microSD card is installed)

3. Tap **All Apps > AutoInstall Settings**.
4. Verify that Autoinstall is enabled.
5. Tap **Packages update** from the screen. The computer automatically initiates a reboot and installs the software upgrade.

## Download and Install the Scan Handle App for Windows 10

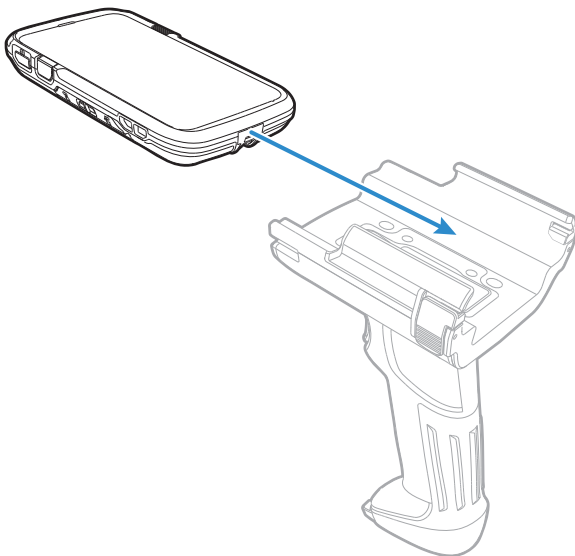
The Honeywell Scan Handle App is available from the Microsoft Store.


1. Sign in to a Microsoft account with your mobile computer.
2. Open Microsoft Edge and go to:  
<https://www.microsoft.com/store/apps/9nblggh4rsrj>.
3. Install the app on your mobile computer. The Scan Handle app now appears as a tile in the Start screen.

## Attach the Scan Handle to the CT50

No special tools are required to attach the scan handle to the computer.

1. Remove the insulation film from the scan handle.
2. Turn on the mobile computer and enable NFC and Bluetooth.
3. Pull the scan handle trigger.
4. Slide the computer into the scan handle until it clicks firmly in place.



- For Android computers, you will see “NFC tag connected” and then “Connected to Scan Handle” messages appear on the mobile computer screen. A scan handle icon (  ) appears in the upper left corner of the screen. You can now use the scan handle to scan barcodes.
  - For Windows computers, continue to Step 5.
5. When the mobile computer prompts you to receive content, tap **Accept**.
  6. When the mobile computer prompts you to pair with the BLE scan handle, tap **Yes**. The Bluetooth Scan Handle app

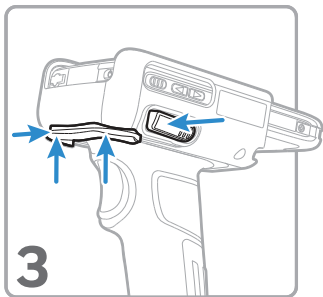
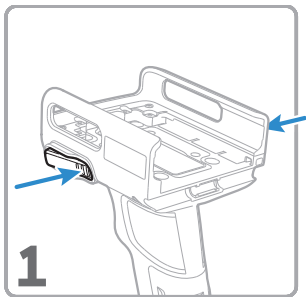
opens on the mobile computer and confirms that the handle is enabled.


## **Attach the Scan Handle to the D75e**

No special tools are required to attach the scan handle to the computer. Before you insert the D75e into the scan handle, make sure you:

- Remove the stylus from the D75e.
  - Remove the insulation film from the scan handle.
  - Turn on the mobile computer and enable NFC and Bluetooth.
  - Pull the scan handle trigger.
1. Press the tabs on each side of the scan handle base.

2. Slide the computer into the scan handle.



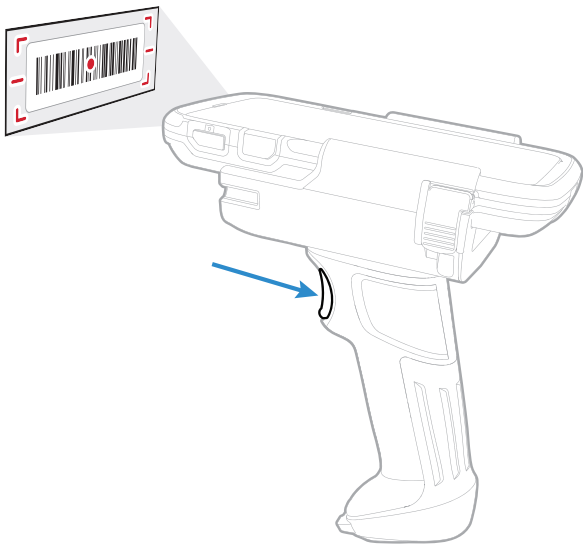
3. Press up on both sides of the scan handle locking bar to secure the scan handle to the computer. You should hear two clicks.
- For Android computers, you will see “NFC tag connected” and then “Connected to Scan Handle” messages appear on the mobile computer screen. A scan handle icon (  ) appears in the upper left corner of the screen.

- For Windows computers, continue to Step 4.
4. When the mobile computer prompts you to receive content, tap **Accept**.
  5. When the mobile computer prompts you to pair with the BLE scan handle, tap **Yes**. The Bluetooth Scan Handle app opens and confirms that the handle is enabled.

## Scan a Barcode with the Scan Handle

The scan handle makes it easy to scan a barcode with the computer. The scan handle does not interfere with the ability to hear a beep on a good read.

- Pull on the scan handle trigger to scan a barcode.

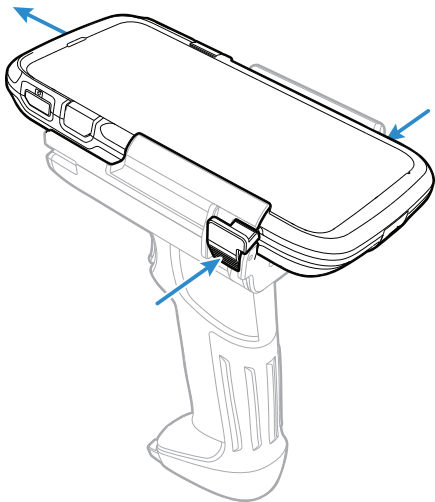




## Remove the CT50 from the Scan Handle

If you need to replace the battery, you will need to remove the computer from the scan handle:

1. Make sure the mobile computer is turned on.
2. For Android computers, continue to Step 3. For Windows computers, follow these steps:
  - a. Open the Bluetooth Scan Handle app and tap **Disable**.
  - b. When prompted to unpair your computer from the scan handle, tap **Yes**.
3. Press in on the bottom of both scan handle latches and grasp the top of the mobile computer from the front and back and pull it out of the handle.

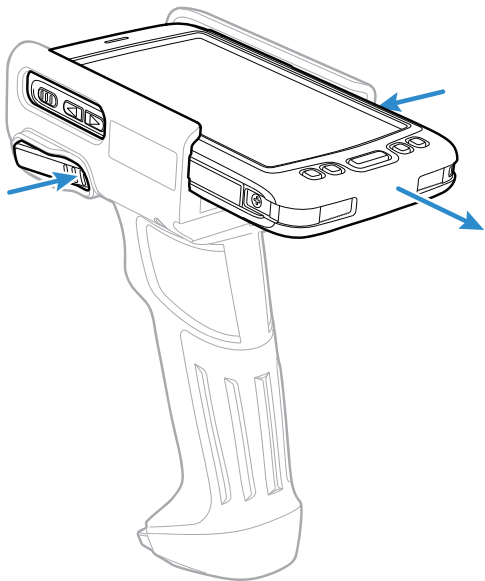


On the Android computer, a “Trigger removed” message appears on the screen and the scan handle icon disappears from the upper left corner.

## Remove the D75e from the Scan Handle

If you need to replace the battery, you will need to remove the computer from the scan handle:

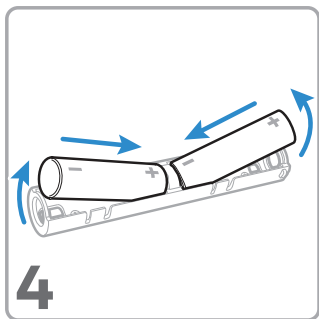
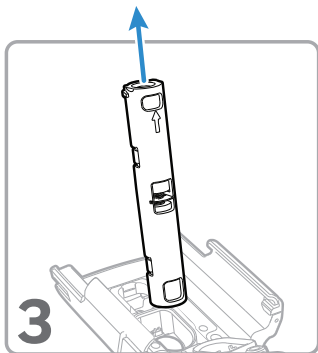
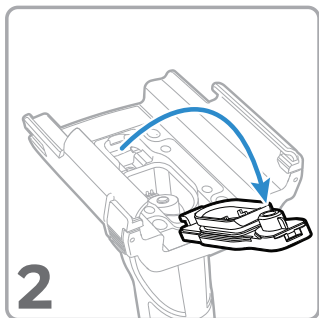
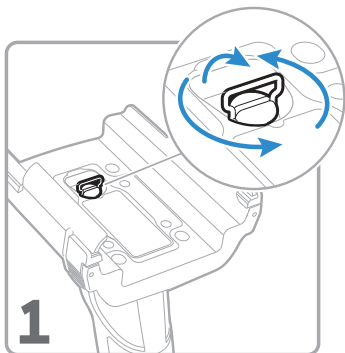
1. Make sure the mobile computer is turned on.
2. For Android computers, continue to Step 3. For Windows computers, follow these steps:
  - a. Open the Bluetooth Scan Handle app and tap **Disable**.
  - b. When prompted to unpair your computer from the scan handle, tap **Yes**.
3. Press the tabs on each side of the scan handle base and slide the computer out of the scan handle.



On the Android computer, a “Trigger removed” message appears on the screen and the scan handle icon disappears from the upper left corner.

## Replace the Scan Handle Batteries

There are two AA alkaline batteries in the scan handle that you will need to change periodically. The battery replacement is the same for the CT50 and the D75e.



## Warnings

- When using the scan handle, the mobile computer screen should be turned on and unlocked.

- The scan handle powers off after being detached from the mobile computer for more than three minutes. Be careful not to pull the scan handle trigger after removing it from the mobile computer. One single trigger pull can turn on the scan handle.
- Change the battery if the message “battery is low” appears on the mobile computer screen.
- If you pull the trigger for longer than 15 seconds, the Bluetooth low energy link will be disconnected.

## Agency Information

USA

**FC** FCC ID: HD5-SH-BLE

## FCC Part 15 Statement

This device complies with part 15 of the FCC Rules. Operation is subject to the following two conditions:

1. This device may not cause harmful interference.
2. This device must accept any interference received, including interference that may cause undesired operation.

## FCC Interference Statement

This equipment has been tested and found to comply with the limits for a Class B digital device pursuant to part 15 of the FCC Rules. These limits are designed to provide reasonable protection against harmful interference in a residential installation. This equipment generates, uses, and can radiate radio frequency energy and, if not installed and used in accordance with

the instructions, may cause harmful interference to radio communications. However, there is no guarantee that interference will not occur in a particular installation.

If this equipment does cause harmful interference to radio or television reception, which can be determined by turning the equipment off and on, the user is encouraged to try to correct the interference by one or more of the following measures:

- Reorient or relocate the receiving antenna.
- Increase the separation between the equipment and receiver.
- Connect the equipment into an outlet on a circuit different from that to which the receiver is connected.
- Consult the dealer or an experienced radio or television technician for help.

## RF Exposure

The equipment complies with FCC RF exposure limits set forth for an uncontrolled environment. The equipment must not be co-located or operating in conjunction with any other antenna or transmitter.

Note: Any changes or modifications made to this equipment not expressly approved by Honeywell may void the FCC authorization to operate this equipment.

## Canada

### Canadian Compliance

This ISM device complies with Canadian RSS-Gen Issue 4/RSS-247 Issue 1. Operation is subject to the following conditions:

1. This device may not cause harmful interference.
2. This device must accept any interference received, including interference that may cause undesired operation.

## Conformité à la réglementation canadienne

Cet appareil ISM est conforme à la norme CNR-Gen/CNR-247 du Canada. Son fonctionnement est assujéti aux conditions suivantes :

1. Cet appareil ne doit pas causer de brouillage préjudiciable.
2. Cet appareil doit pouvoir accepter tout brouillage reçu, y compris le brouillage pouvant causer un fonctionnement indésirable.

## USA, Canada NRTL Statement

UL and C-UL Listed: UL60950-1 2nd Edition and CSA C22.2 No. 60950-1-07 2nd Edition.

## CB Scheme

Certified to CB Scheme IEC 62368-1, Second Edition.

## Europe



The CE marking indicates compliance with the following directives:

- 2014/53/EU Radio Equipment
- 2011/65/EU RoHS (Recast)

In addition, complies to 2014/35/EU Low Voltage Directive when used with the recommended power source.

European contact:

Honeywell Productivity Solutions B.V.  
Lagelandseweg 70  
6545CG Nijmegen  
The Netherlands

Honeywell shall not be liable for use of our product with equipment (such as power supplies, personal computers, and so on) that is not CE marked and does not comply with the Low Voltage Directive.



## Informações ANATEL

Resolution nº 506/2008 Art. 6º: RESTRICTED RADIATION LABEL:

Este equipamento opera em caráter secundário, isto é, não tem direito a proteção contra interferência prejudicial, mesmo de estações do mesmo tipo, e não pode causar interferência a sistemas operando em caráter primário.

Para maiores informações, consulte o site da ANATEL - [www.anatel.gov.br](http://www.anatel.gov.br).

## Support

To search our knowledge base for a solution or to log into the Technical Support portal and report a problem, go to <https://www.honeywellaidc.com/working-with-us/contact-technical-support>.

## Documentation

Product documentation is available at [www.honeywellaidc.com](http://www.honeywellaidc.com).

## Limited Warranty

For warranty information, go to [www.honeywellaidc.com](http://www.honeywellaidc.com) and click **Resources** > **Product Warranty**.



## Patents

For patent information, see [www.hsmpats.com](http://www.hsmpats.com).

## Disclaimer

Honeywell International Inc. (“HII”) reserves the right to make changes in specifications and other information contained in this document without prior notice, and the reader should in all cases consult HII to determine whether any such changes have been made. The information in this publication does not represent a commitment on the part of HII.

HII shall not be liable for technical or editorial errors or omissions contained herein; nor for incidental or consequential damages resulting from the furnishing, performance, or use of this material. HII disclaims all responsibility for the selection and use of software and/or hardware to achieve intended results.

This document contains proprietary information that is protected by copyright. All rights are reserved. No part of this document may be photocopied, reproduced, or translated into another language without the prior written consent of HII.

Copyright © 2016-2020 Honeywell International Inc. All rights reserved.