



## CT50/CT60 HomeBase

Models CT50-HB, CT50-EB  
For CT50 and CT60 Mobile Computers  
**Quick Start Guide**



Rev E  
05/21

### Out of the Box

Make sure that your shipping box contains these items:

- CT50 HomeBase (CT50-HB) or Ethernet HomeBase (CT50-EB)
- Power supply
- Power cord
- Quick start guide and regulatory compliance sheet

If any of these items are missing or appear damaged, contact your Customer Account Representative. Keep the original packaging in the event that you need to return the HomeBase or Ethernet HomeBase for service or if you want to store the charger while not in use..

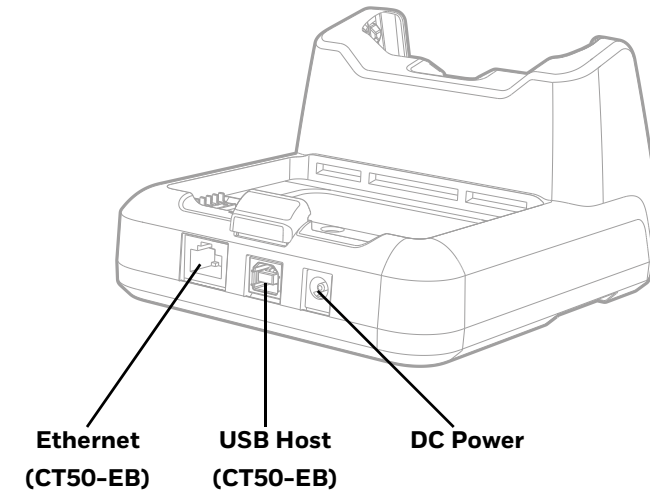
**Caution:** We recommend the use of Honeywell accessories and power adapters. Use of any non-Honeywell accessories or power adapters may cause damage not covered by the warranty.

**Mise en garde :** Il est recommandé d'utiliser les périphériques, les cordons d'alimentation et les adaptateurs secteur conçus par Honeywell. L'utilisation de tout périphérique, cordon d'alimentation ou adaptateur secteur d'une autre marque est susceptible de provoquer des dommages non couverts par la garantie.

### Connect Power

Use only a UL Listed power supply which has been qualified by Honeywell with an output rated at 12 VDC and 3 A. The power supply input rating is 90-264 VAC, 50/60 Hz. The operating temperature is -20 °C to 50 °C (-4 °F to 122 °F).

1. Plug the power cord into the power supply.
2. Plug the power supply cable into the power connector on the back of the HomeBase.
3. Plug the power cord into a standard wall outlet.

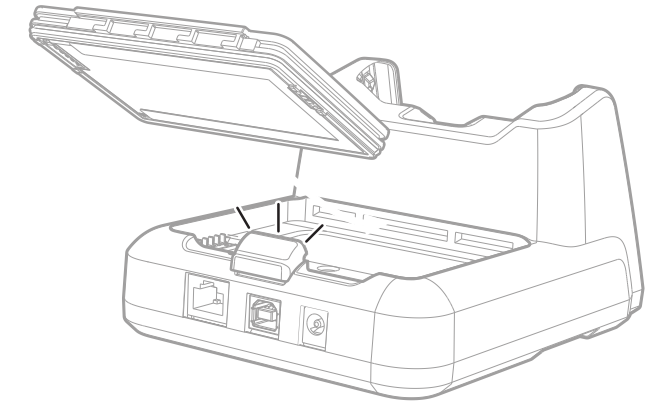


### Charge the Battery Pack

**Caution:** Make sure that all components are dry prior to using the computers and batteries with accessories. Using wet components may cause damage not covered by the warranty.

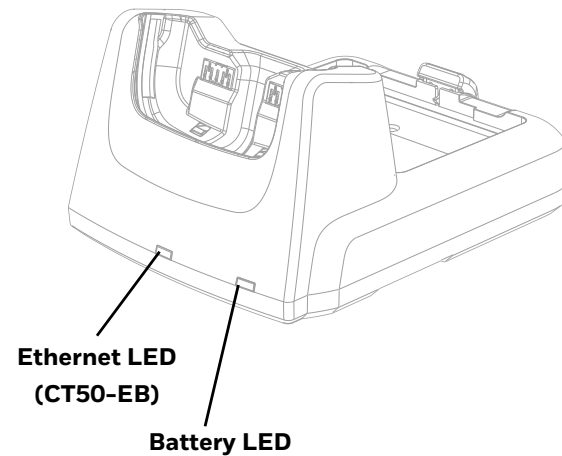
**Mise en garde :** Assurez-vous que tous les composants sont secs avant de connecter les terminaux/batteries à des périphériques. L'insertion de composants humides risque de provoquer des dommages non couverts par la garantie.

Insert a battery pack into the HomeBase:



### Status LEDs

The HomeBase has one LED for the battery status. The Ethernet Homebase has two status LEDs: Ethernet and battery.



LED	Status	Description
Ethernet	Solid white	CT50 is communicating with HomeBase.
	Blinking White	CT50 is communicating with the Ethernet network.
	Off	HomeBase not communicating with Ethernet network or not connected to power.

LED	Status	Description
Battery	Solid green	The battery is connected to external power and is fully charged.
	Solid amber	The battery is connected to external power and is charging.
	Blinking red	There is a battery charging fault, such as over-temperature.

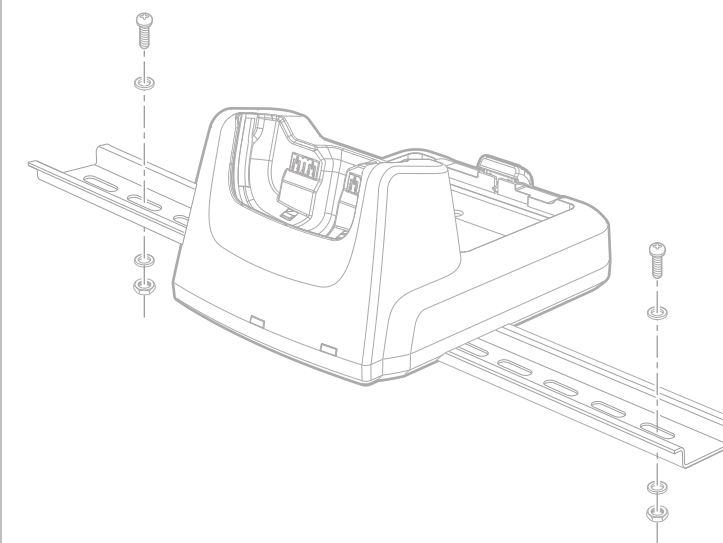
### Mount the HomeBase

You can mount the HomeBase on a flat, horizontal surface such as a desktop or workbench with an optional DIN rail.

Mounting hardware required:

- DIN rail
- 3/16-inch diameter x 5.8-inch long pan head screw
- 1/2-inch OD x 7/32-inch ID x 3/64-inch thick washer
- 3/16-inch diameter nut

1. Slide the DIN rail into the slot on the bottom of the HomeBase.
2. Secure the DIN rail to the flat surface with the hardware.



### Agency Information

<p><b>UL and C-UL Statement</b> UL and C-UL listed: UL 60950-1, Second Edition and CSA C22.2 No.60950-1-07, Second Edition.</p>	<p><b>Norme UL et C-UL</b> Homologué UL et C-UL : UL 60950-1, seconde édition et CSA C22.2 No.60950-1-07, seconde édition.</p>	<p>If the following label is attached to your product, the product meets Korean agency approval for Class B equipment: 이 기기는 가정용 (B급) 전자파적합기기로서 주로 가정에서 사용하는 것을 목적으로 하며, 모든 지역에서 사용할 수 있습니다.</p>
<p><b>RCM Mark</b> Complies with ACMA regulatory arrangements.</p>	<p><b>EAC</b> Customs Union Approval</p>	<p><b>Mexico</b> Conforms to NOM-019 Cumples con NOM-019 Está en conformidad con a NOM-019</p>

### USA

#### FCC Part 15 Subpart B Class B

This device complies with part 15 of the FCC Rules. Operation is subject to the following two conditions:

1. This device may not cause harmful interference.
2. This device must accept any interference received, including interference that may cause undesired operation.

This equipment has been tested and found to comply with the limits for a Class B digital device pursuant to part 15 of the FCC Rules. These limits are designed to provide reasonable protection against harmful interference in a residential installation. This equipment generates, uses, and can radiate radio frequency energy and, if not installed and used in accordance with the instructions, may cause harmful interference to radio or television communications. However, there is no guarantee that interference will not occur in a particular installation. If this equipment does cause harmful interference to radio or television reception, which can be determined by turning the equipment off and on, the user is encouraged to try to correct the interference by one or more of the following measures:

- Reorient or relocate the receiving antenna.
- Increase the separation between the equipment and receiver.
- Connect the equipment into an outlet on a circuit different from that to which the receiver is connected.
- Consult the dealer or an experienced radio or television technician for help.

If necessary, the user should consult the dealer or an experienced radio/television technician for additional suggestions. The user may find the following booklet helpful: "Something About Interference." This is available at FCC local regional offices. Honeywell is not responsible for any radio or television interference caused by unauthorized modifications of this equipment or the substitution or attachment of connecting cables and equipment other than those specified by Honeywell.

The correction is the responsibility of the user.

Use only shielded data cables with this system. This unit has been tested with cables less than 3 meters. Cables greater than 3 meters may not meet class B performance.

Caution: Any changes or modifications made to this equipment not expressly approved by Honeywell may void the FCC authorization to operate this equipment.

