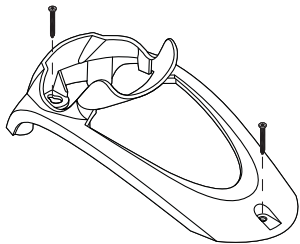
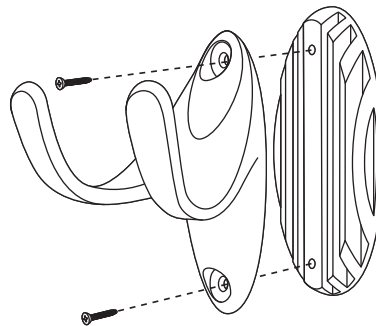
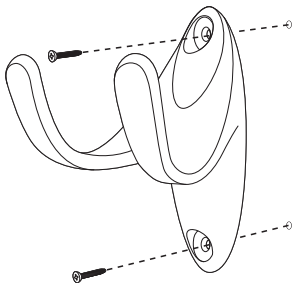


Voyager 1200g Holder Installation



HOLDER-004-U

Note: Screws are optional, but recommended when hard-mounting to a surface.



HOLDER-005-W

